



DESCRIPTION:

- Single lever, single hole faucet
- Simple yet sophisticated design
- Brass body with chrome finish
- High quality, drip-free ceramic cartridge
- Corrosion & discolouration resistant
- Complies with CSA & IAPMO standards

PRESSURE:

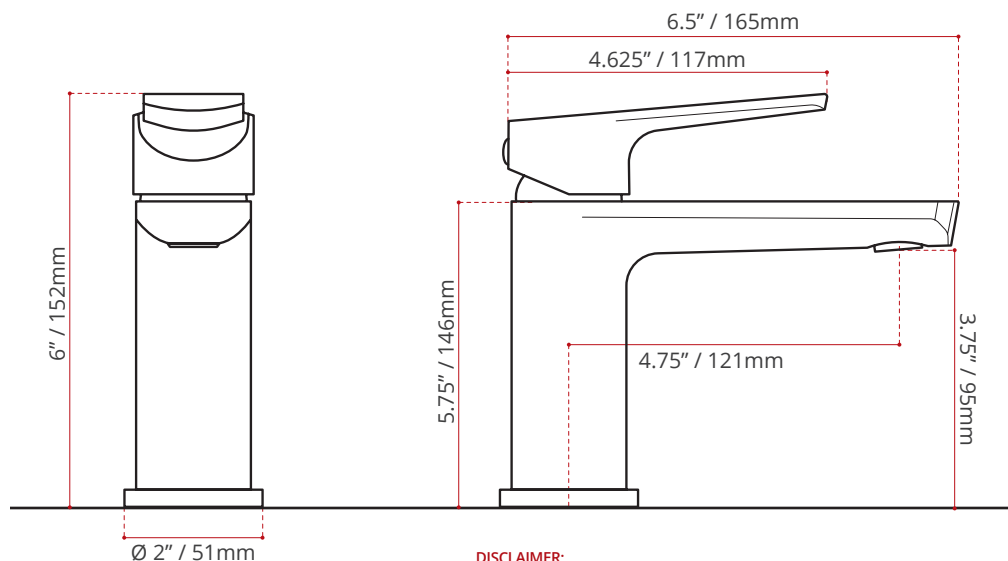
60 PSI

FLOW RATE:

4.5 LPM

SHIPPING INFORMATION:

- Length: 12.2" / 310mm
- Net Weight: 1.21 kg / 2.6 lbs.
- Width: 7.09" / 180mm
- Gross Weight: 1.43 kg / 3.15 lbs.
- Height: 2.76" / 70mm



DISCLAIMER:

Measurements may vary $\pm \frac{1}{4}"$
(Diagram Not to scale)